



Installation instructions, accessories

Volvo Car Corporation Gothenburg, Sweden

Instruction No	Version	Part. No.
30756670	1.2	30756959, 31339874

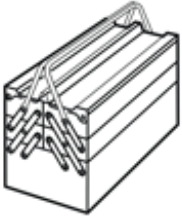
Load compartment divider



Installation instructions, accessories

Volvo Car Corporation Gothenburg, Sweden

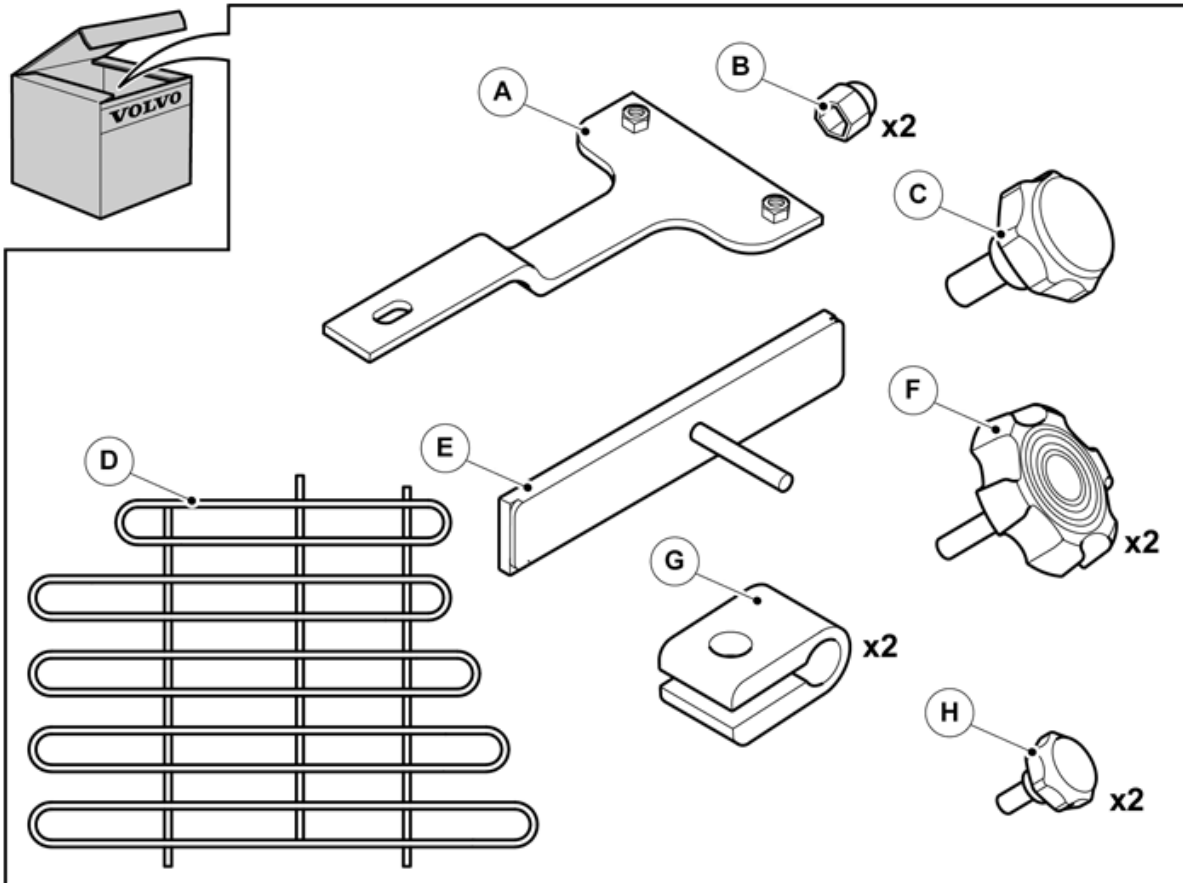
Equipment



A0000162



IMG-239943



IMG-329769



Installation instructions, accessories

Volvo Car Corporation Gothenburg, Sweden

Any comments on this publication? Please contact your nearest retailer. Thank You!

Publ.no:	Issue:	Kit no:
Comments:.....		
.....		
.....		
.....		

From:	
Address:	
Telephone:	
Telefax:	

IMG-213320



Installation instructions, accessories

Volvo Car Corporation Gothenburg, Sweden

INTRODUCTION

Read through all of the instructions before starting installation.

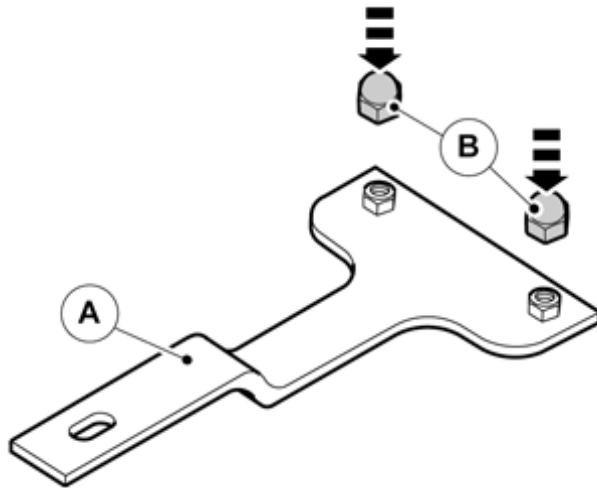
Notifications and warning texts are for your safety and to minimise the risk of something breaking during installation.

Ensure that all tools stated in the instructions are available before starting installation.

Certain steps in the instructions are only presented in the form of images. Explanatory text is also given for more complicated steps.

In the event of any problems with the instructions or the accessory, contact your local Volvo dealer.

1



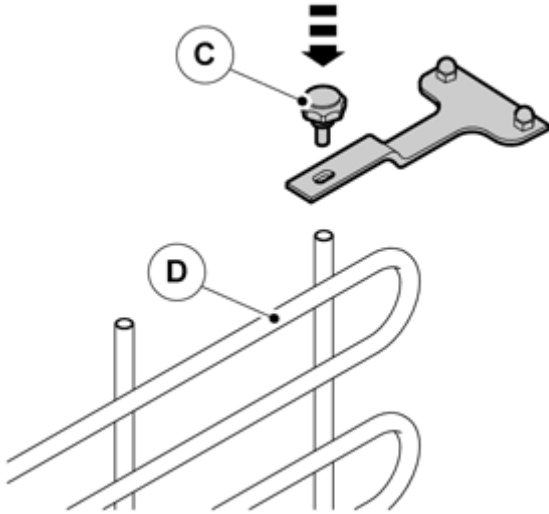
IMG-329793



Installation instructions, accessories

Volvo Car Corporation Gothenburg, Sweden

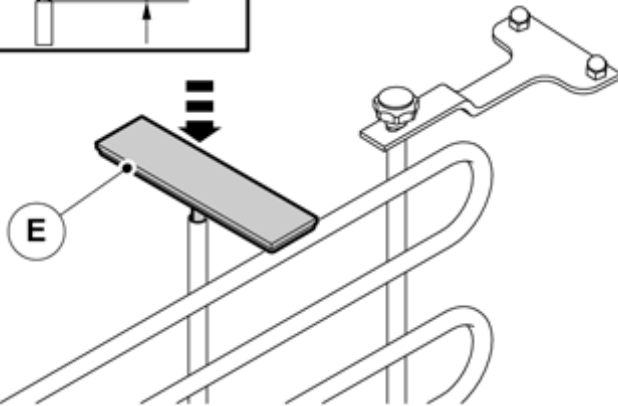
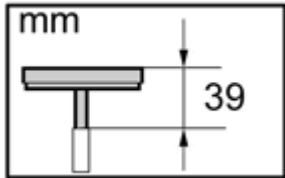
2



IMG-329794

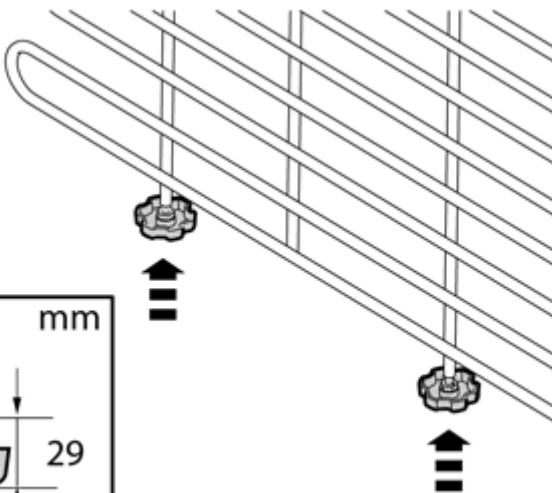
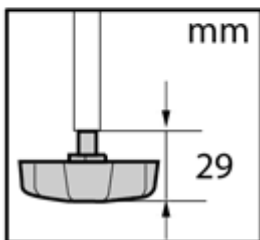
Do not tighten.

3



IMG-329795

4



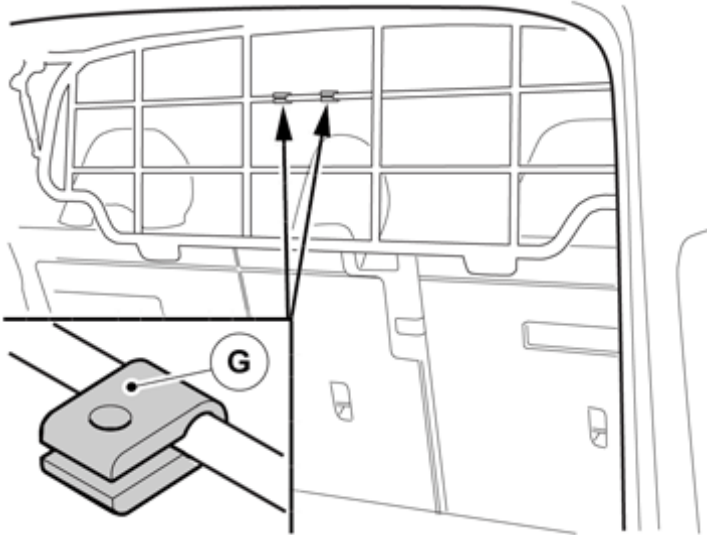
IMG-329798



Installation instructions, accessories

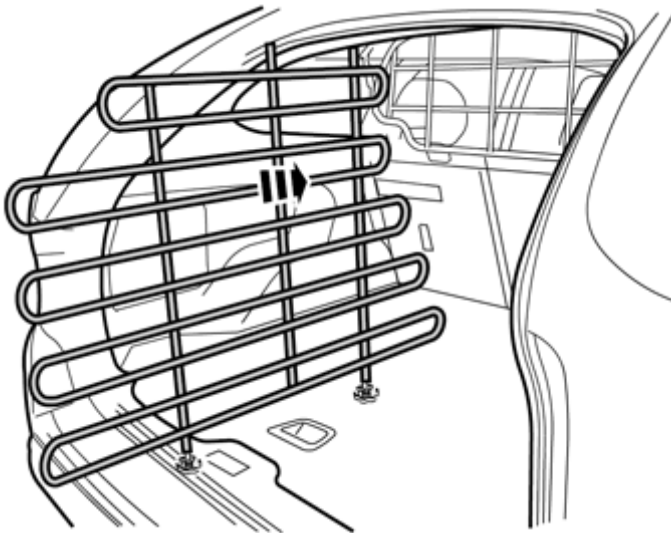
Volvo Car Corporation Gothenburg, Sweden

5



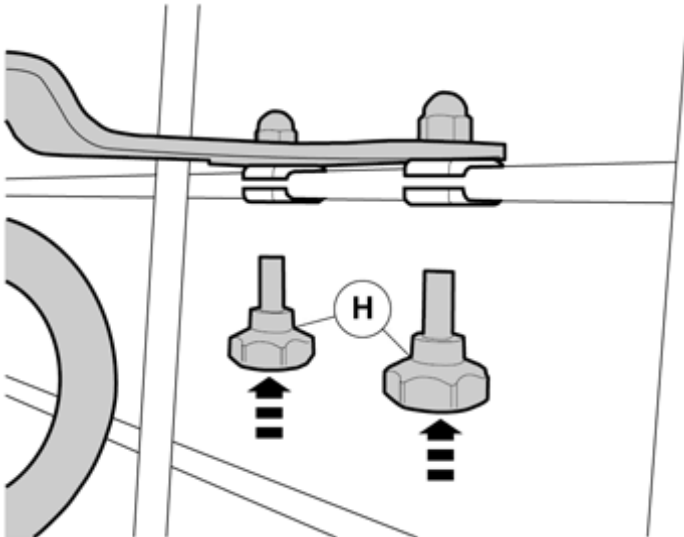
IMG-329803

6



IMG-329808

7



Do not tighten.

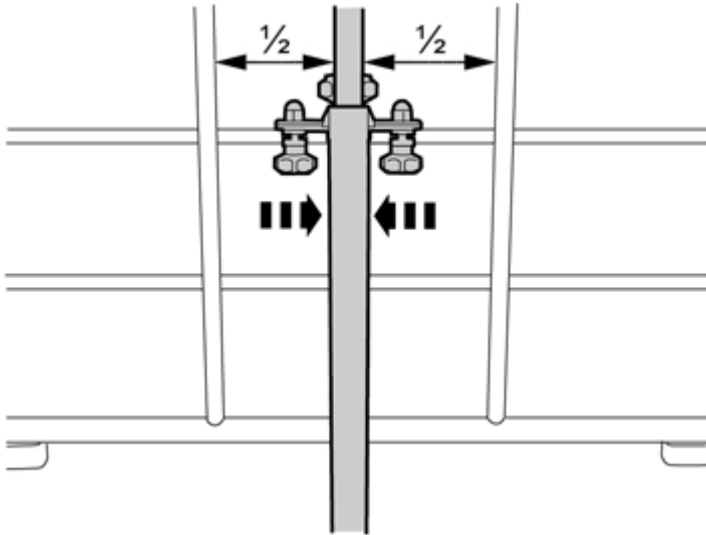
IMG-329809



Installation instructions, accessories

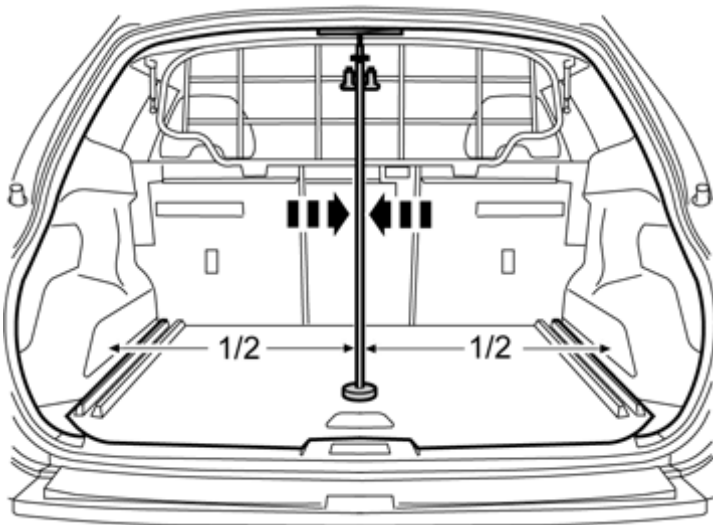
Volvo Car Corporation Gothenburg, Sweden

8



IMG-329810

9



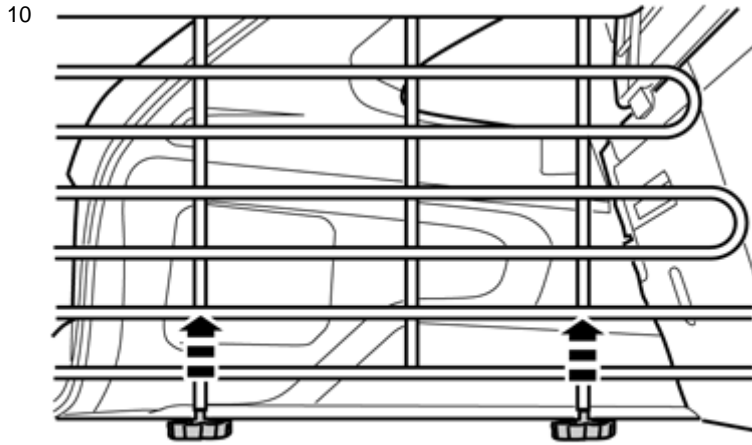
IMG-329811

Adjust so that the cargo compartment wall is vertical and in the centre of the cargo compartment.



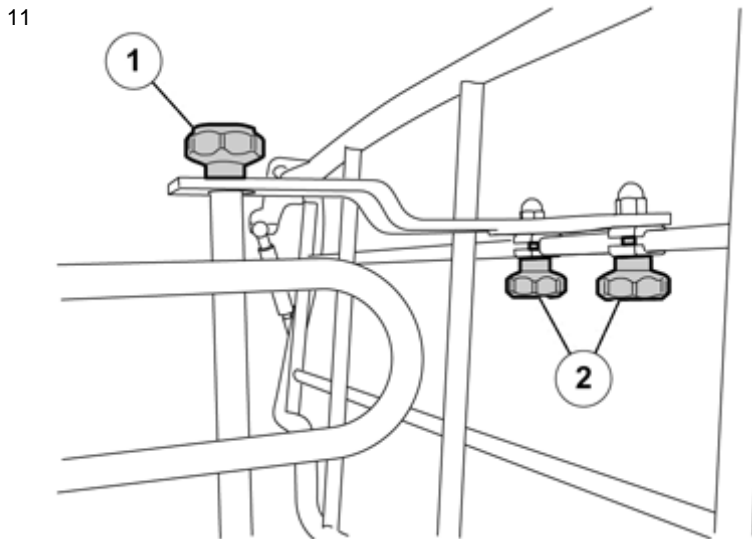
Installation instructions, accessories

Volvo Car Corporation Gothenburg, Sweden



Tighten the knobs and secure the grille. The grille must be parallel with the floor hatch.

IMG-329812



Tighten the knobs.

IMG-329813